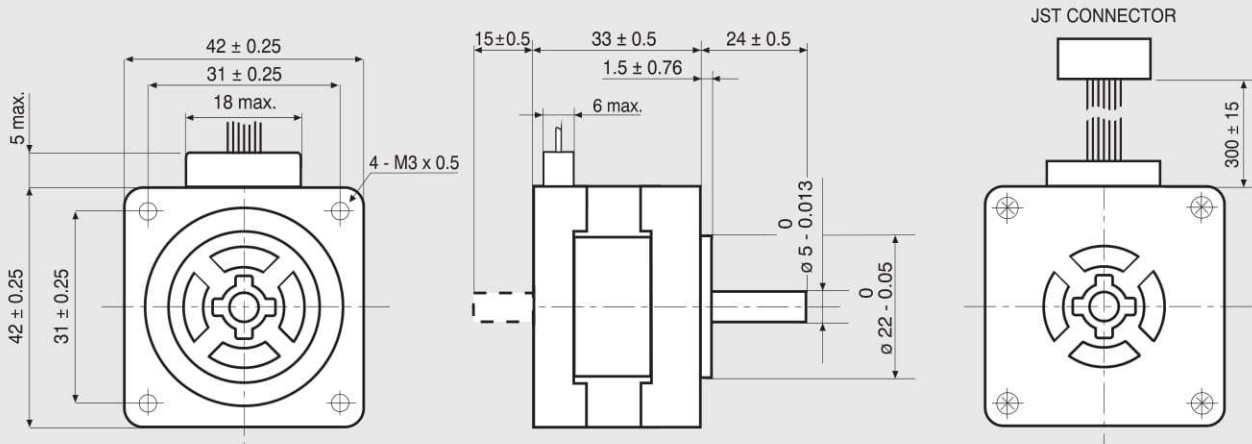


Dimensions (Unit:mm)



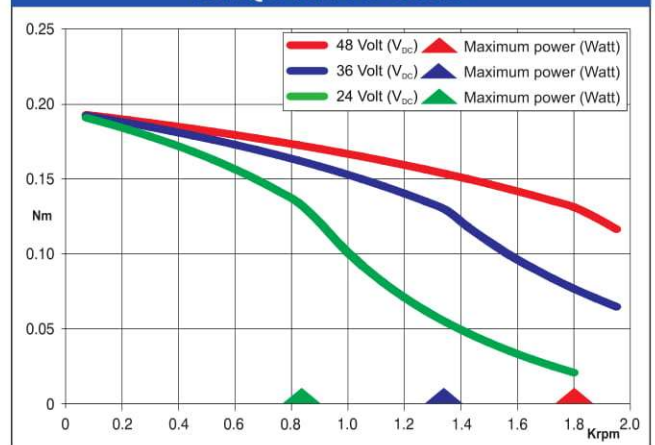
MOTOR CONNECTOR IS JST mod. EHR-6A
6 POLES FEMALE.
FOR CONNECTION USE JST
mod. B6B-EH-A MALE CONNECTOR.

FEATURES

MODEL	103-H5205-0351 (103-H5205-0312)	
BASIC STEP ANGLE	$1.8^\circ \pm 0.09^\circ$	
BIPOLAR CURRENT	(Amp)	0.7*
UNIPOLAR CURRENT	(Amp)	1.0
RESISTANCE	(Ohm)	3.6
INDUCTANCE	(mH)	3.3
BIPOLAR HOLDING TORQUE	(Ncm)	25
UNIPOLAR HOLDING TORQUE	(Ncm)	19
ROTOR INERTIA	(Kg \cdot m $^2 \times 10^{-7}$)	36
THEORETICAL ACCELERATION	(rad x sec. $^{-2}$)	69800
BACK E.M.F.	(V/Krpm)	37
MASS	(Kg)	0.23
LEADS CODE	IV	

Codes between brackets refer to double shaft models.

TORQUE/SPEED CURVE



(*) Bipolar series connection.

