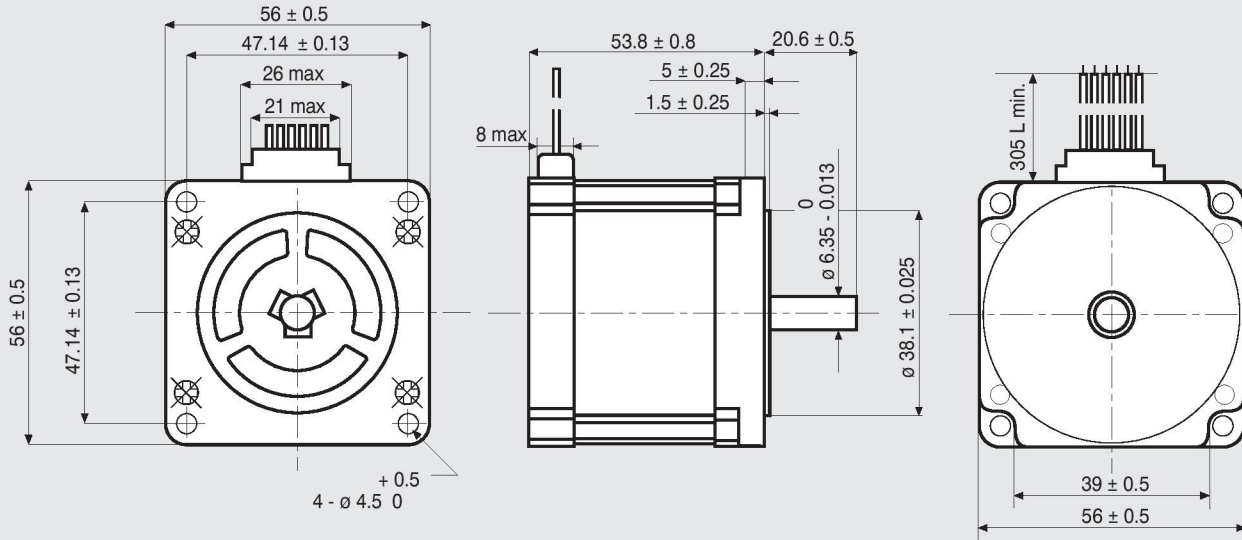


# 103-H7123-0140

SANYO DENKI  
SANMOTION

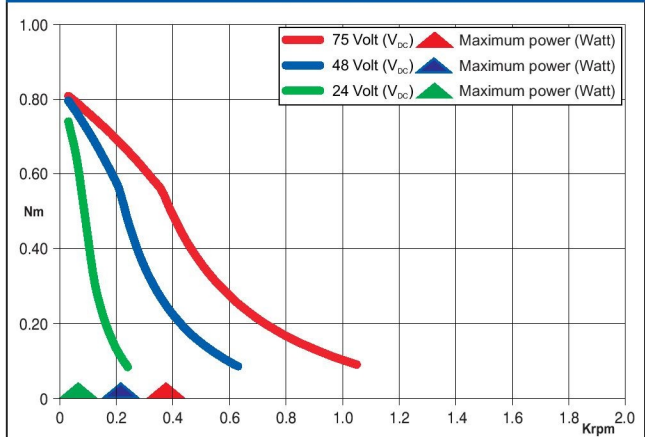
## Dimensions (Unit:mm)



## FEATURES

MODEL	103-H7123-0140	
BASIC STEP ANGLE	$1.8^\circ \pm 0.09^\circ$	
BIPOLAR CURRENT	(Amp)	0.7 <sup>(*)</sup>
UNIPOLAR CURRENT	(Amp)	1.0
RESISTANCE	(Ohm)	6.7
INDUCTANCE	(mH)	15
BIPOLAR HOLDING TORQUE	(Ncm)	110
UNIPOLAR HOLDING TORQUE	(Ncm)	85
ROTOR INERTIA	(Kg $\cdot$ m $^2$ x 10 $^{-7}$ )	210
THEORETICAL ACCELERATION	(rad x sec. $^{-2}$ )	50000
BACK E.M.F.	(V/Krpm)	60
MASS	(Kg)	0.65
LEADS CODE	IV	

## TORQUE/SPEED CURVE



(\*)Bipolar series connection.  
(\*) Collegamento bipolare serie.

SANYO DENKI CO., Ltd (JAPAN)

ORANGE

WHITE

BLUE

RED

BLACK

YELLOW

**IV**