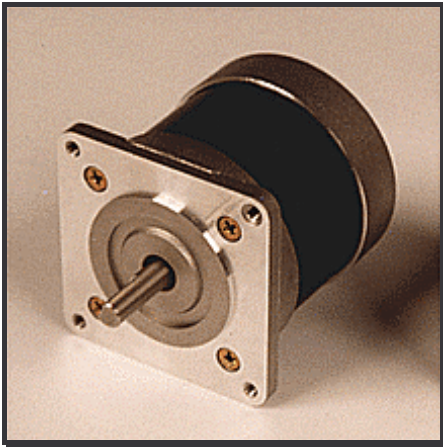
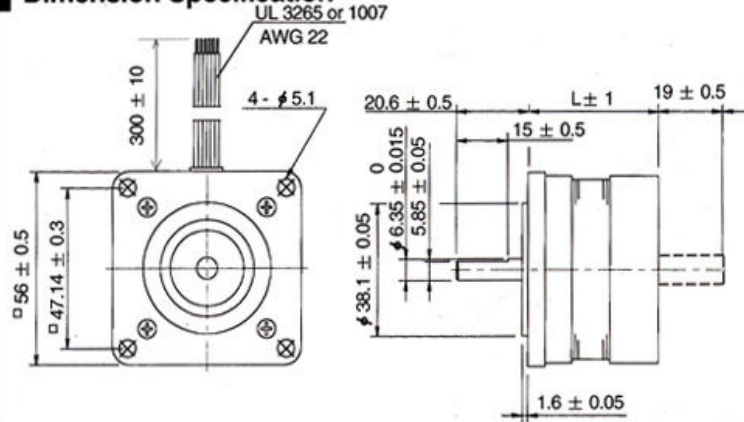


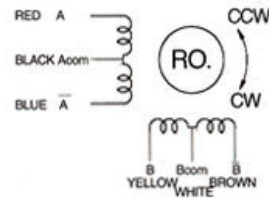
# Schrittmotor SM 12056



## Dimension Specification



## Wiring Diagram



## SPECIFICATION

VOLTAGE	CURRENT	RESISTANCE	INDUTANCE	HOLDING TORQUE	DETENT TORQUE	ROTOR INERTIA	WEIGHT	LENGTH
(V)	(A/Phase)	(Ohm/Phase)	(mH/Phase)	(Kgf-cm)	(Kgf-cm)	(g-cm)	(g)	(mm)
12	0,6A	20	38,0	6,0	450	155	620	56

## TORQUE CHARACTERISTICS

