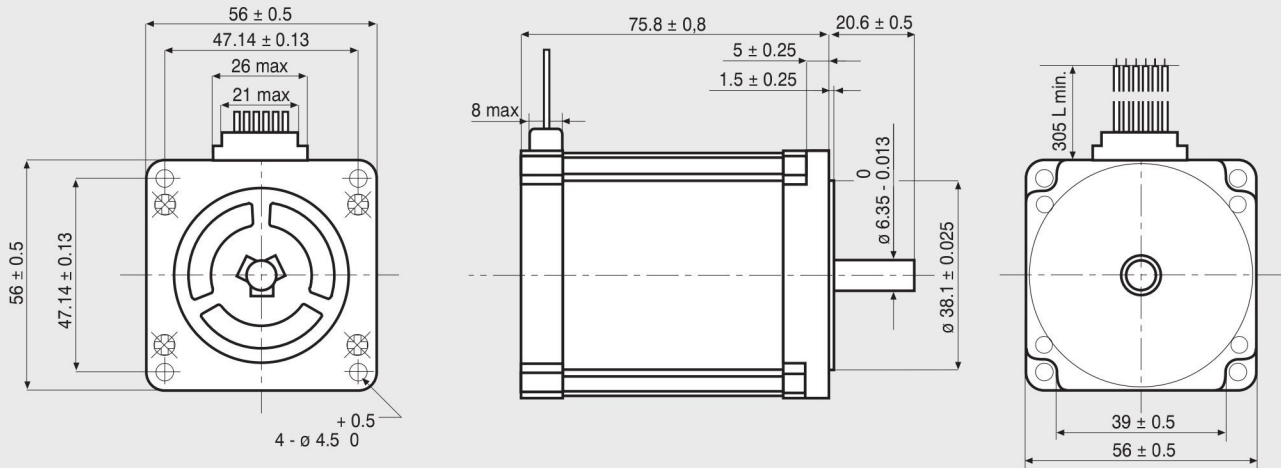


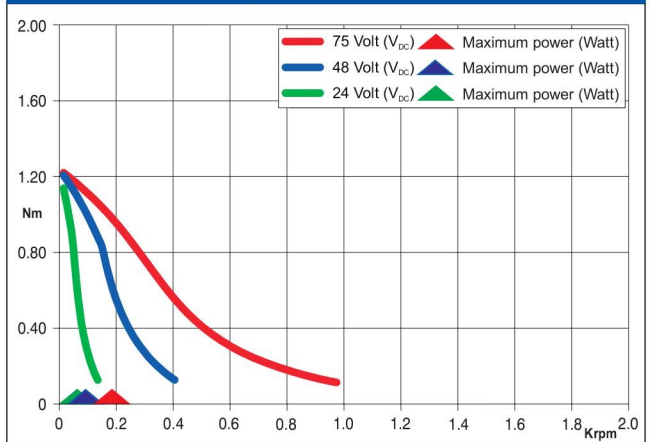
## Dimensions (Unit:mm)



## FEATURES

MODEL	103-H7126-0140	
BASIC STEP ANGLE	$1.8^\circ \pm 0.09^\circ$	
BIPOLAR CURRENT	(Amp)	0.75 <sup>(*)</sup>
UNIPOLAR CURRENT	(Amp)	1.0
RESISTANCE	(Ohm)	8.6
INDUCTANCE	(mH)	19
BIPOLAR HOLDING TORQUE	(Ncm)	165
UNIPOLAR HOLDING TORQUE	(Ncm)	130
ROTOR INERTIA	(Kgm <sup>2</sup> x 10 <sup>-7</sup> )	360
THEORETICAL ACCELERATION	(rad x sec. <sup>-2</sup> )	45800
BACK E.M.F.	(V/Krpm)	92
MASS	(Kg)	1
LEADS CODE	IV	

## TORQUE/SPEED CURVE



<sup>(\*)</sup>Bipolar series connection.

SANYO DENKI CO., Ltd (JAPAN)

